

SAFETY INFORMATION

Please read and understand this entire manual before attempting to assemble, install or operate the product.

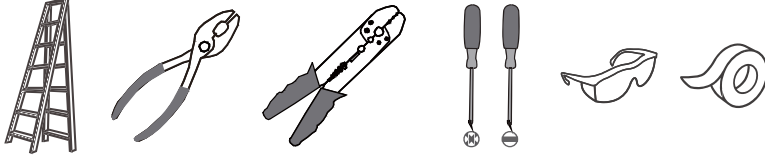
WARNING

- RISK OF ELECTRIC SHOCK - Before beginning installation, turn off electricity at the circuit breaker box or the main fuse box.

CAUTION

- For your safety, read instructions completely before beginning installation.
- If in doubt about electrical installation, consult a licensed electrician.

TOOLS REQUIRED



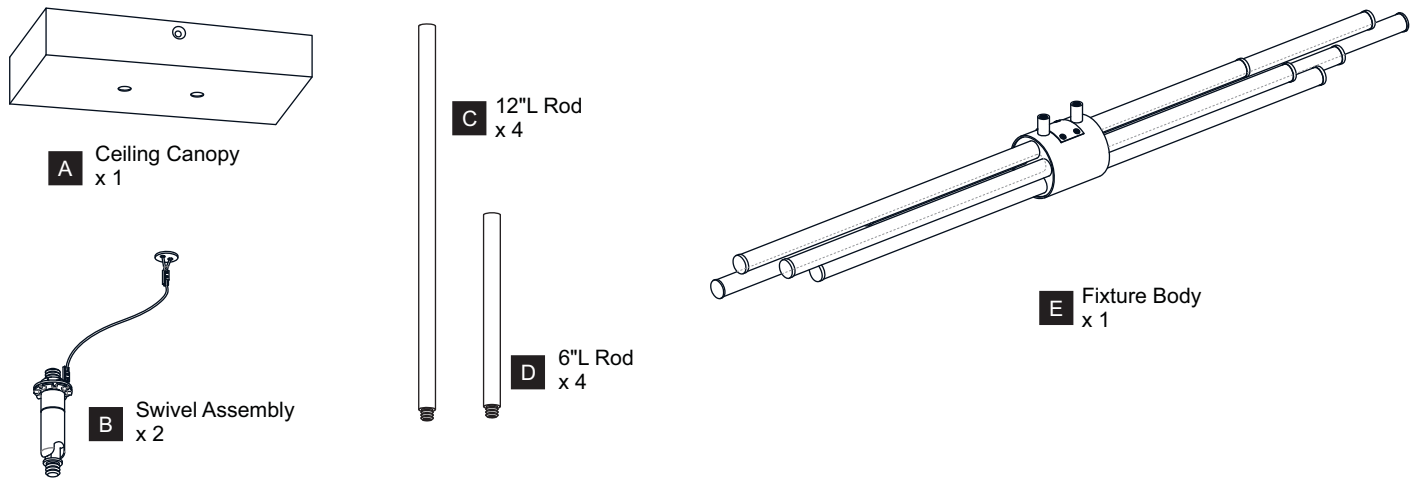
Ratings	120~277Vac, 50/60Hz	
	Model No.	Wattage
	PCTAL146BRG	27W
	PCTAL146MBK	27W

CARE AND MAINTENANCE

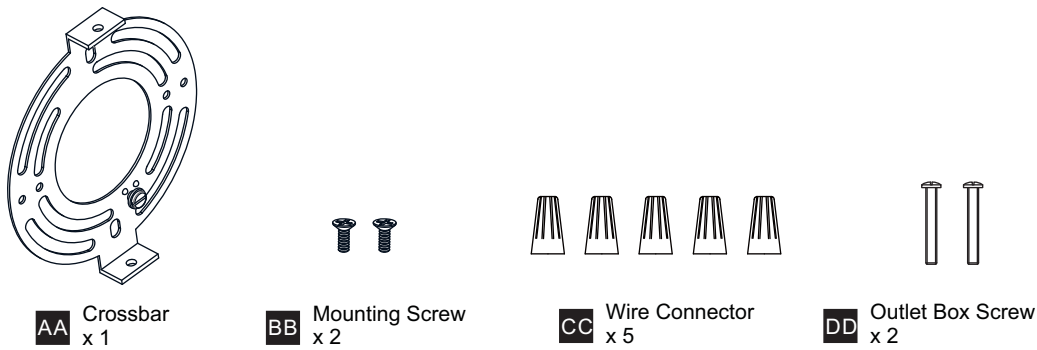
- Wipe clean using soft, dry cloth or static duster. Always avoid using harsh chemicals and abrasives to clean fixture as they may damage the finish.

If you need further assistance call Quozel Customer Care at 1-800-645-3184 (9:00am - 5:00pm EST), or visit us on-line at www.quizel.com.

PACKAGE CONTENTS



MOUNTING HARDWARE



1 Remove Support Rods

Support Rod

Support Rod

2 Install Rods

Optional Rods:

8 Feet Ceiling:
(2) 12"L Rods each side.

9 Feet Ceiling:
(2) 6"L Rods + (2) 12"L Rods each side.

3 Separate Swivel Assembly

4 Install Swivels and Ceiling Canopy to Upper Rods

Swivel

90Degree

For angled ceilings, Swivels opening towards wall.

* Make sure two swivels opening are in the same direction while assembling.

5 Connect Fixture Wires to Driver

Red wire from driver identified with the label "LED +"

Red wire from fixture identified with the label "LED +"

Black wire from driver identified with the label "LED -"

Black wire from fixture identified with the label "LED -"

6 Install Crossbar

Outlet Box

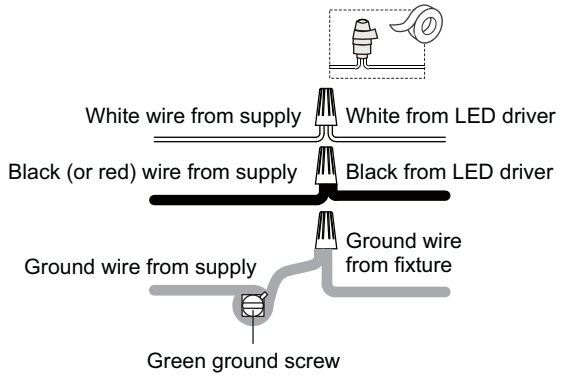
7 Install Lanyards

Button Stop

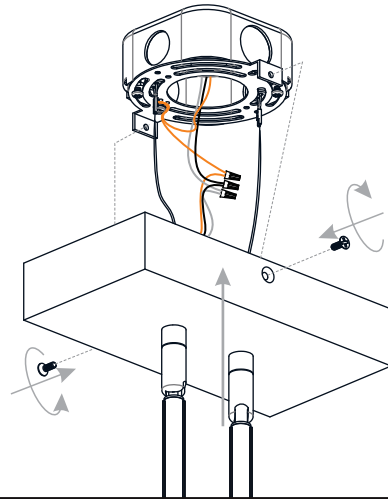
Lanyard

INSTALLATION

8 Wiring



9 Install Ceiling Canopy to Crossbar



Your installation is now complete! Restore electricity and save this sheet for future reference.